

GM-PL Stainless Steel 316 Lever Latch

Features

- Self-closing latch designed for inconspicuous mounting, ideal for interior cabinets
- Designed for installation on the outside of application to maximise usable space within cabinets and compartments
- Slots and off-center strike incorporated to facilitate minor adjustments following installation
- POM strike works smoothly with the stainless steel latch and enables quiet operation
- Built-in marking hole to ensure proper alignment of strike during installation

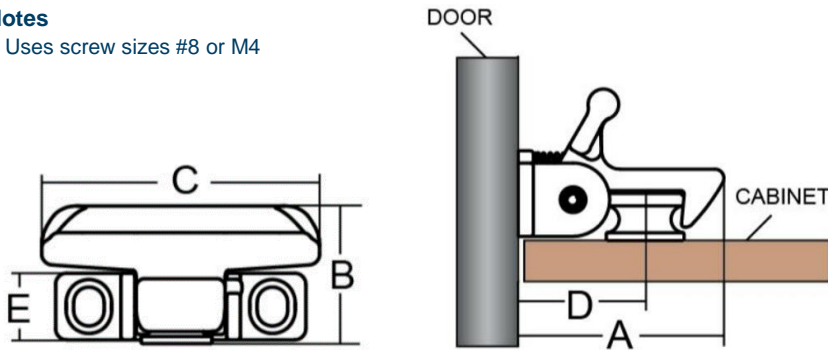


Material

- Stainless steel 316

Notes

- Uses screw sizes #8 or M4



Part No.	A	B	C	D	E
GM-PL-A607487	33.7	24.7	50	20.8	12